

## VF-W SERIES

### VF-W SERIES AXIAL EXHAUST FAN



## FEAUTURES

- Morden design and good looking.
- Fan frame and blade are made of high-quality durable ABS plastic, UV resistant.
- Fan blade design makes it high efficiency working and long working life.
- Fan designed with ultra thin front panel and insect screen.
- Fan with reliable low-watt motor, continuous operation.
- Protection class: IP34

## MOUNTING

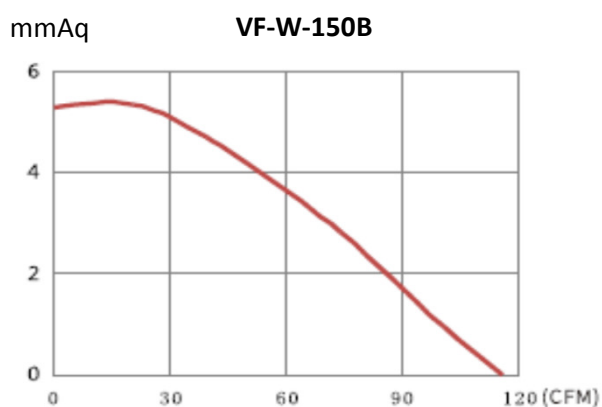
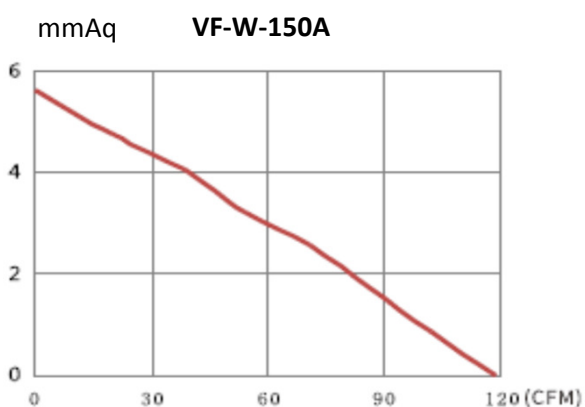
- The fans are directly mounted into the ventilation shaft.
- In case of remote location of ventilation shaft, connect a flexible air duct to the fan with a clamp.
- Fix the fan to wall by self-tapping screws.
- Suitable for ceiling mounting.

Applications: Continuous or period exhaust ventilation area such as bathroom, showers, kitchens and other spaces.

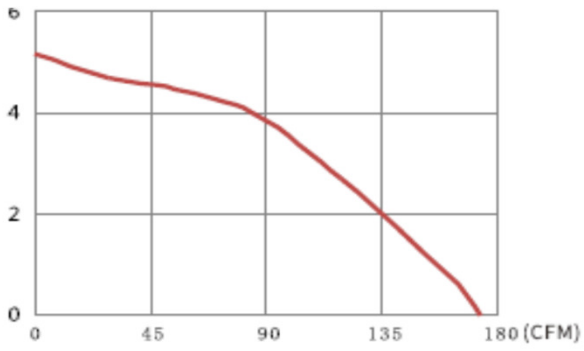
## PERFORMANCE

MODEL	VOLTAGE	CURRENT (AMPS)	POWER (kW)	SPEED (RPM)	AIRFLOW (m3/h)	AIR PRESSURE (Pa)
VF-W-150A	240/50	0.17	0.022	2350	201	55
VF-W-150B	240/50	0.19	0.028	2350	197	52
VF-W-150C	240/50	0.17	0.022	2350	295	51
VF-W-150D	240/50	0.17	0.022	2350	272	56

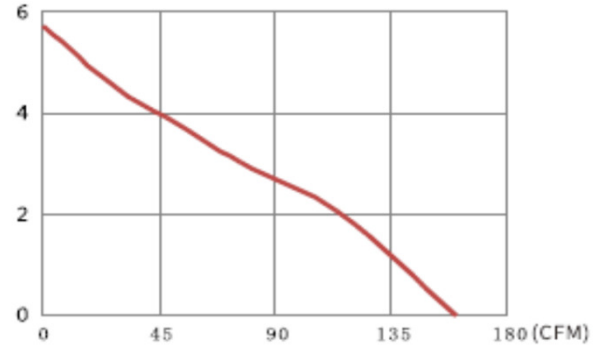
## PERFORMANCE CURVES



mmAq VF-W-150C

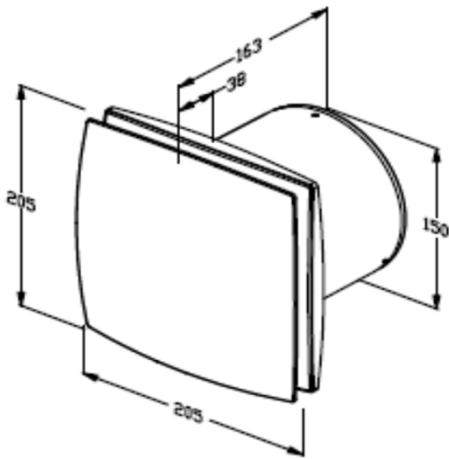


mmAq VF-W-150D

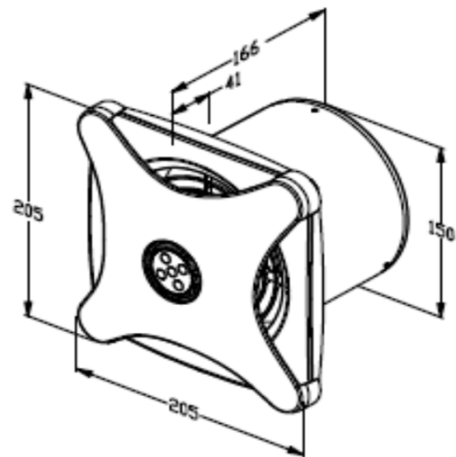


## DIMENSIONS (MM)

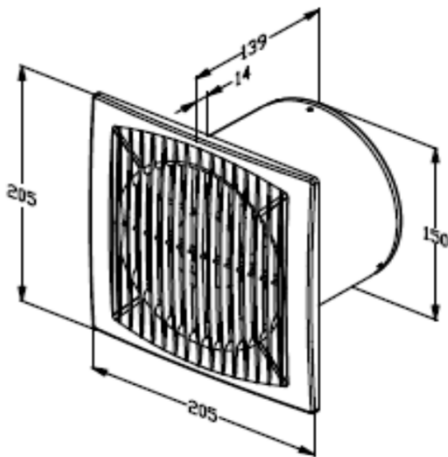
VF-W-150A



VF-W-150B



VF-W-150C



VF-W-150D

